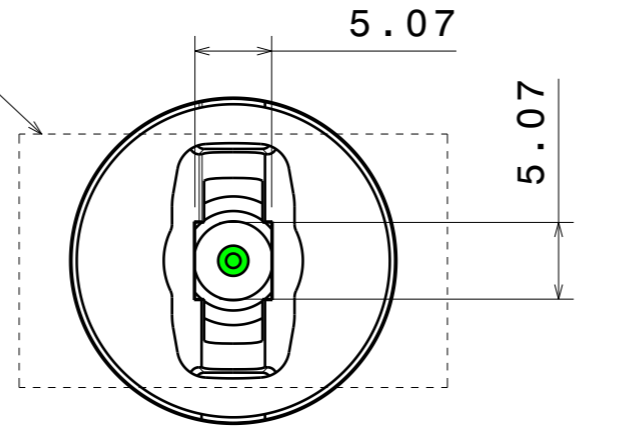
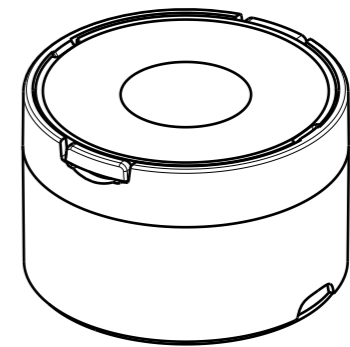


REV	DATE
001	31.10.2024

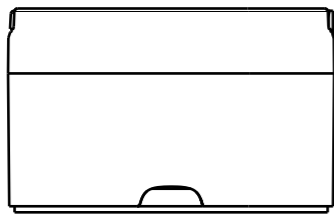
REC beam direction



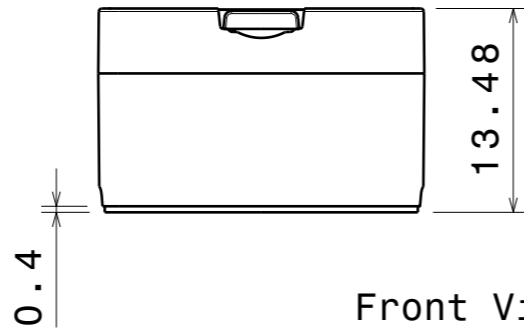
Bottom View



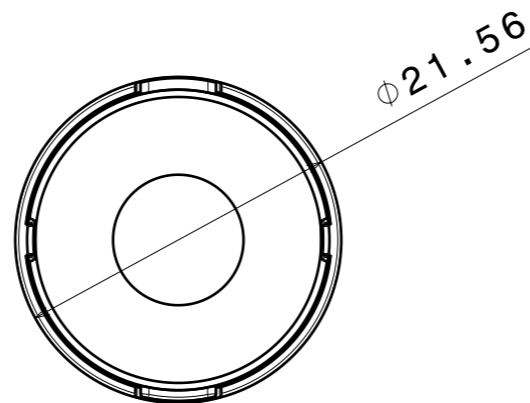
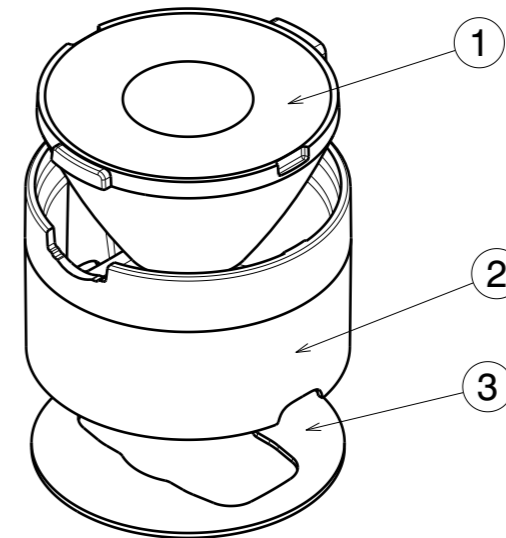
Isometric View



Right View



Front View



Top View

LEILA\_LN2\_series  
**COMPONENTS**

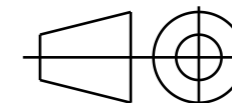
INDEX	PART	TYPE	COUNT	MATERIAL	COLOR / COATING
1	LEILA LN2 lens	LENS	1	PMMA	Clear
2	F10699_LN2-LH1-TAPE	HOLDER	1	PC	Black
3	F12078_LEILA-TAPE	TAPE	1	Tape	

**MECHANICAL DRAWING**

PRODUCT  
**LEILA**

Plastic moulding general tolerances according to DIN 16901-130 and applies if not otherwise shown in the drawing. Silicone moulding general tolerances according to ISO 3302-1 Class M3 and applies if not otherwise shown in the drawing.

FIRST ANGLE PROJECTION:



**LEDiL**

This drawing is the property of LEDiL Oy. It may not be copied or otherwise distributed without prior written permission from LEDiL Oy.

SCALE 2:1

WEIGHT -

A3 SHEET 1/1

**Notes**

	PCB or heatsink level.
	LED location
	Ensure LED fitting from a product specific 3D model available from <a href="http://www.ledil.com">www.ledil.com</a>
	For more details about installation please see LEDiL Installation Guide on <a href="http://www.ledil.com">www.ledil.com</a>